

**Accordion Strip Doors and Curtains**  
Commercial - Industrial - Clean Room

**Create Sliding Strip Doors**

**Benefits Include :**

- ✓ **Conserve Energy / Reduce Hydro**
- ✓ **Keep the elements out**
- ✓ **Suppress Noise**
- ✓ **Increase Employee Comfort while allowing Forklifts and Machinery to pass thru....**
- ✓ **Easily Retract Strips During Frequent Traffic such as during loading and unloading.**



**SIMPLY  
TUG &  
SLIDE!**



Accordion Strip Door hardware is compatible with 12 wide strips and a 4" overlap....Doors can be configured as bi parting ( parting in the middle ) or single sliding ( sliding all one way ). Hardware is all galvanized and rollers are all ball bearing . Accordion Strip Door can be face mount, jamb mount or standoff mount ( see next page ).

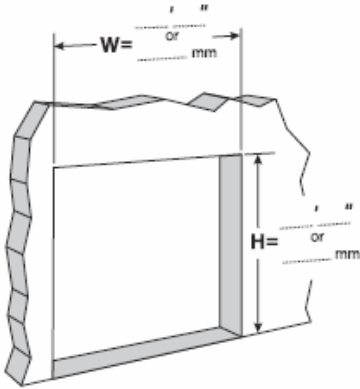
# ACCORDION STRIP CURTAINS

Commercial - Industrial - Clean Room

## JUST 3 STEPS TO ORDER

### STEP 1

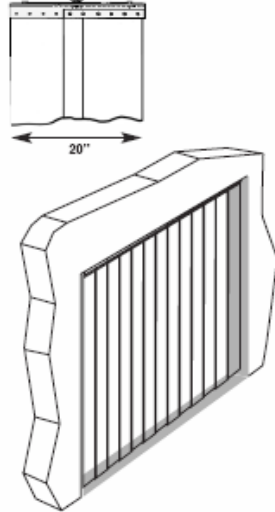
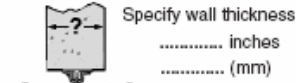
Please indicate both the Width and Height



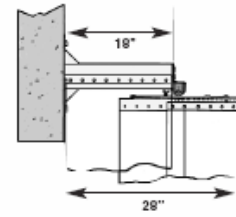
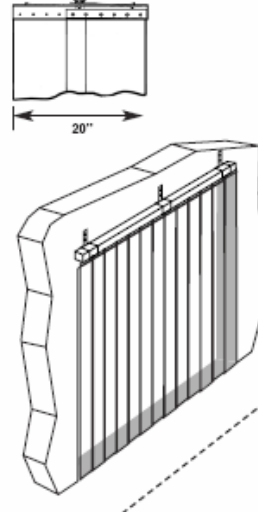
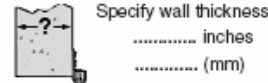
### STEP 2

Please check the appropriate box for the mounting method you would prefer.

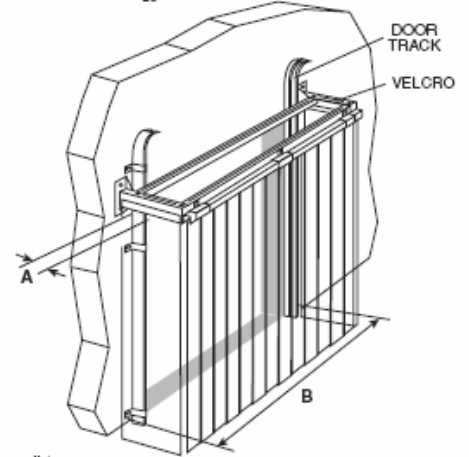
**HEADER MOUNT**



**WALL MOUNT**

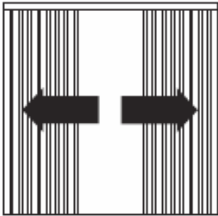


Please fill in measurements A and B below.

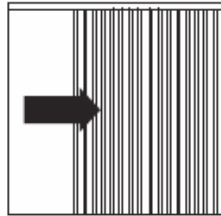


**STEP 3** Please check the appropriate box for the parting system you would prefer.

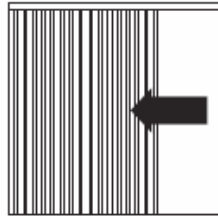
**BI-PARTING**



**SINGLE TO RIGHT**



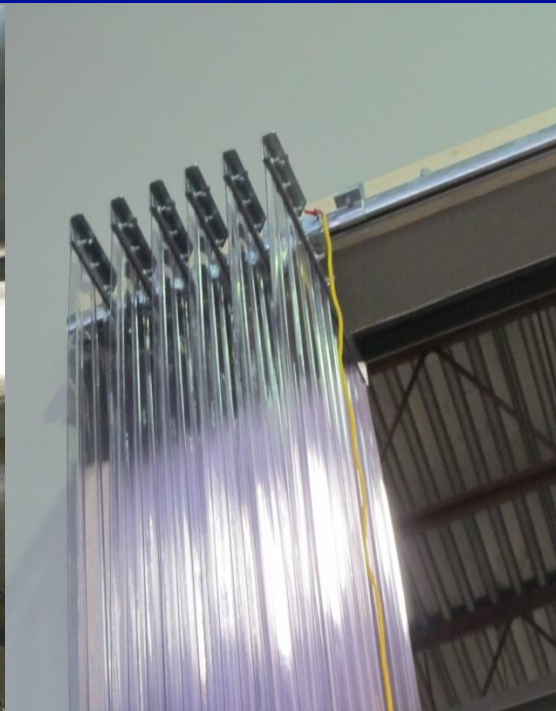
**SINGLE TO LEFT**



(A) Measure from wall to outside edge of track  
..... inches  
..... (mm)

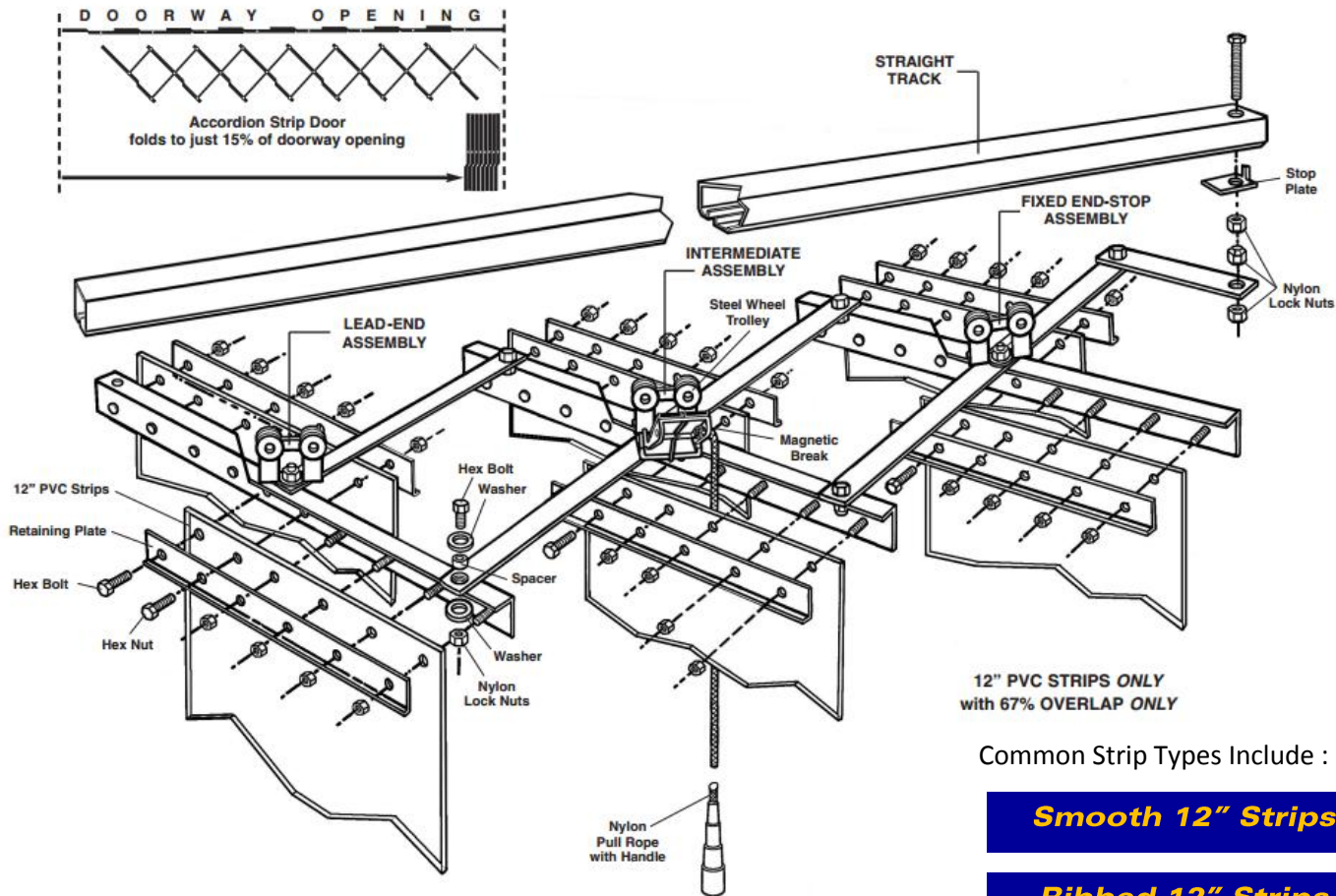
(B) Measure from track to track on the outside edges of track  
..... ft..... inches  
..... (mm)

**ACCORDION STRIP DOOR**



# ACCORDION STRIP CURTAINS

Commercial - Industrial - Clean Room



**NEED TO SLIDE AROUND A RADIUS?**  
Sectional Hinged Trolley Systems Also Available

